

MOROOKA MST600VD



ENGINE

Make:



Model: V3307-D1-TE3B

4 cylinder, Displacement: 3.3 litre

76 PS / 55 KW @ 2600 rpm

Fuel Tank capacity: 99 Litres

Machine weight: 4000 Kg

Payload: 3500 Kg

PERFORMANCE

Travel speed: - Low 0 ~ 7.5 kph

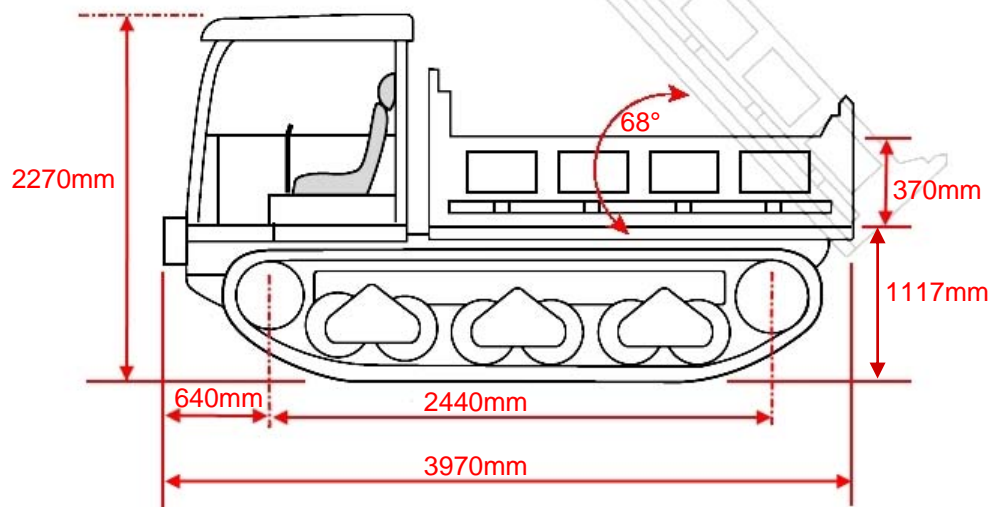
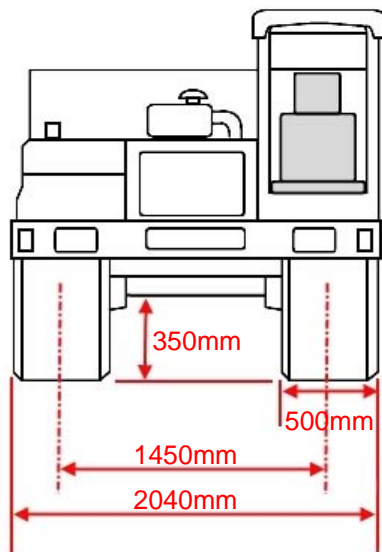
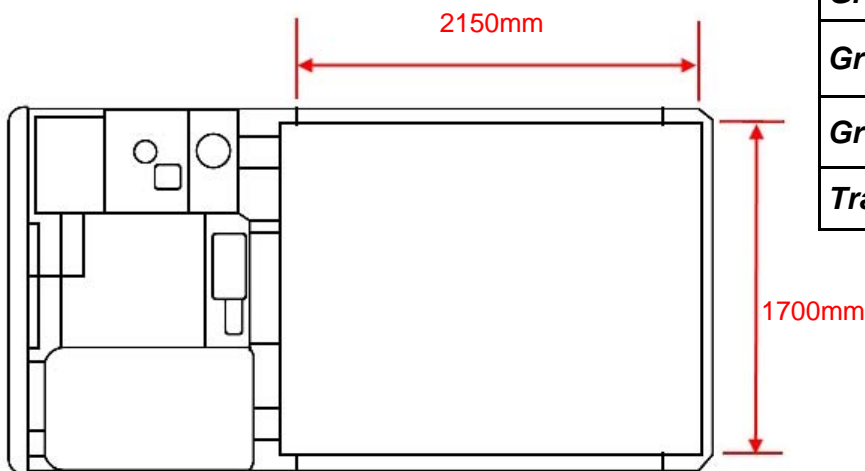
Travel speed: - High 0 ~ 12 kph

Gradeability: (empty) 30 degrees

Ground Pressure empty: 0.17 Kg/cm²

Ground Pressure loaded: 0.26 kg/cm²

Track width: 500mm



CAUTRAC

Colchester ☎ 01206 273111

www.cautrac.com

Bolton ☎ 01204 791122