



MOROOKA

MST-300 ACCESS

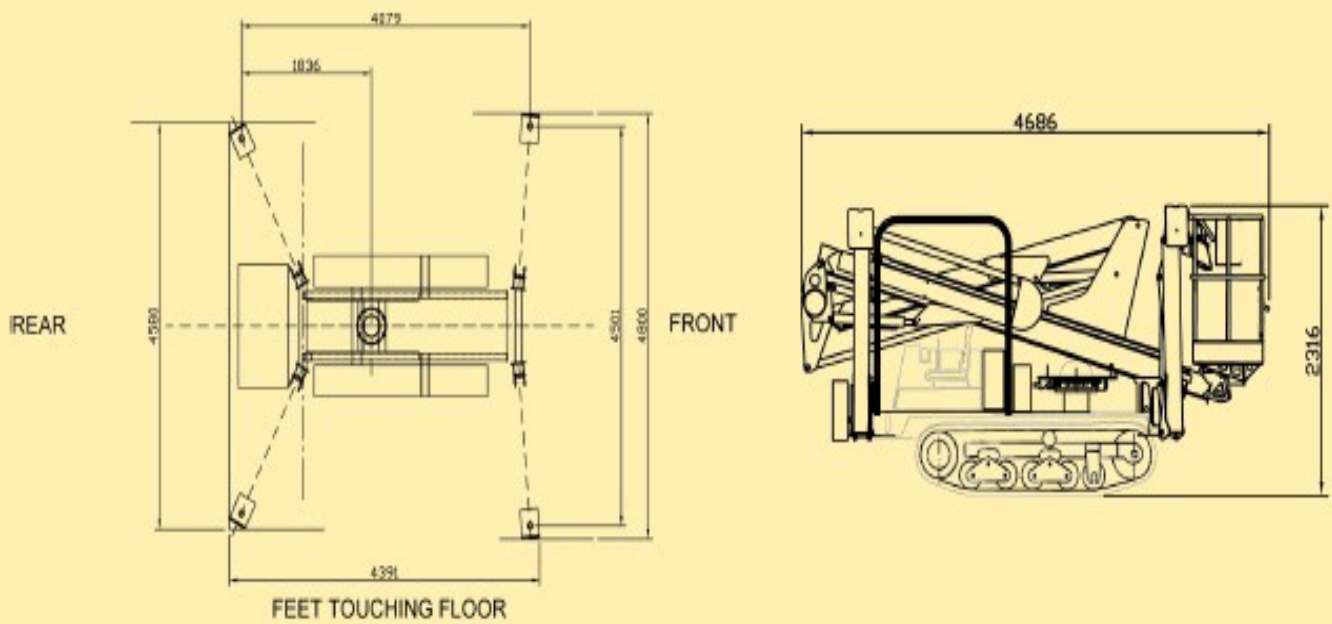
- Morooka Rubber Tracked Carrier
- Niftylift 15 Metre Platform
- Low Ground Pressure
- Variable Travel Speed Up To 11 Kph
- Ability To Track Up 30 Degree Slopes

ord^{ltd}

industrial & commercial supplies

01463 870349

Powered Access Hire - Containers - Racking
Forklifts - Welfare Units - Office Accommodation



Maximum Lift Height	14.7m
Maximum Out reach	7.55m
Maximum capacity	225kg
Turret rotation	400 degrees
Turret tail swing	Zero
Controls	Full proportional hydraulic
Gross vehicle weight	3900kg
Maximum ground pressure	0.27kg/cm ²